

Standard Super Hinge

Installation Instructions

Pre-installation:

Make sure there are no obstructions that will be in the way of the mounting area on the fan or duct such as electric boxes, conduits, brackets, etc. Check to be sure that the power supply conduit is in good condition and has adequate length for the fan to be tilted.

Note proper sizing available from manufacturer.

Installation:

1. Turn off the power supply at breaker box. (A) Set the angled portion of the hinge on the fan base (B) and slide it forward (C) until it hits the stop plate on the bottom of the angle bracket.

2. Using the supplied 1/4" self tapping screws, fasten the angle bracket to the side of the fan base through the pre-drilled holes.

Repeat steps 2-3 on opposite side.

3. Once the upper angle brackets are secure to fan base, mount the flat lower hinge arms to the fan duct using the supplied 1-1/2" self tapping screws.

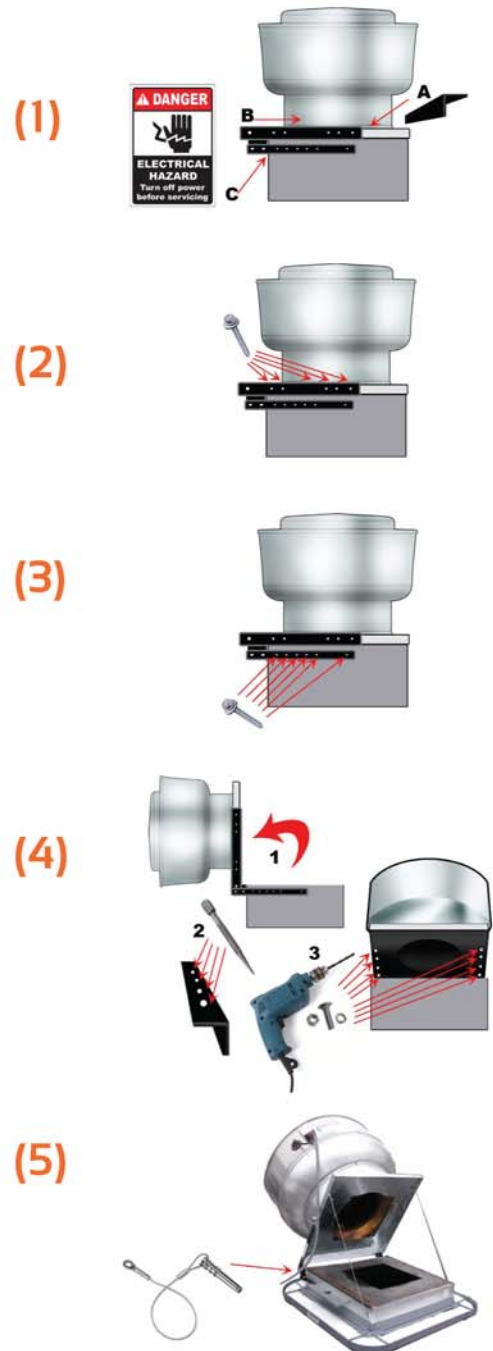
Be sure the lower arms are horizontal and parallel to upper angle brackets.

Note: The lower arms can be set higher or lower for clearance of the fan base.



4. (A) After hinges are mounted to the fan base and fan duct, carefully tilt the fan back so to have access to the bottom of the fan base. (B) Using a punch, mark through the pre-drilled holes on top of angled mounting brackets so accurate drilling holes for the supplied upper mounting bolts can be made. (C) Drill the holes using a 1/4" drill bit. Fasten bolts through brackets and fan base. Be sure to install the washers before fastening the bolts.

5. Once all fasteners are secure, tilt fan through range of motion to assure a good fit. Then retighten all fasteners. The clevis pin on the cable can be used to hold the fan at a 45° or 90° angle for cleaning and servicing convenience.



Drain-Net Technologies
www.drain-tech.com
1-844-564-9216

