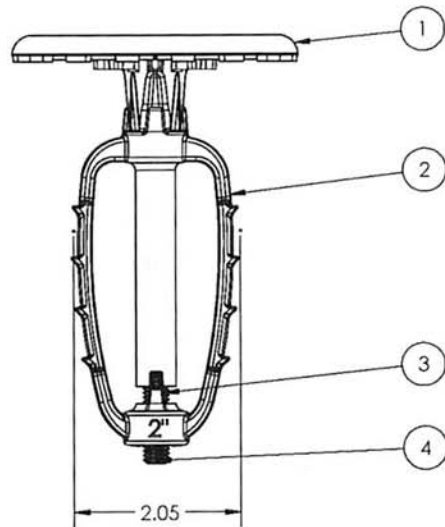
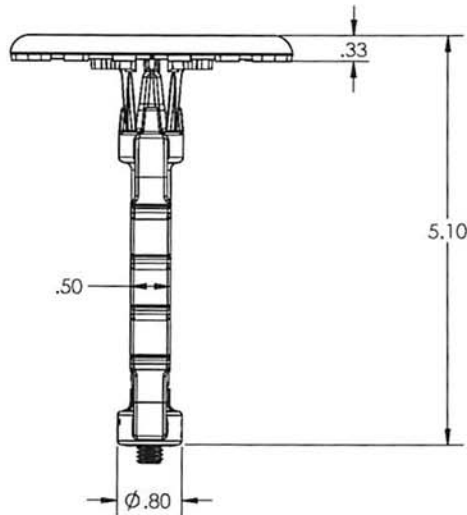
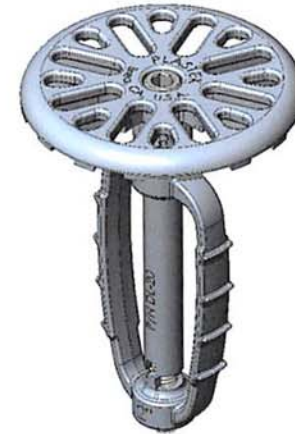
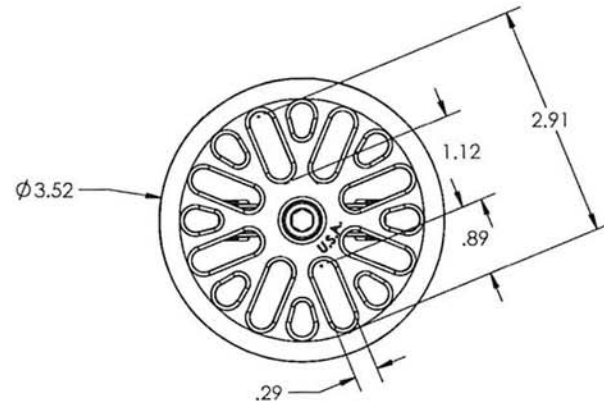


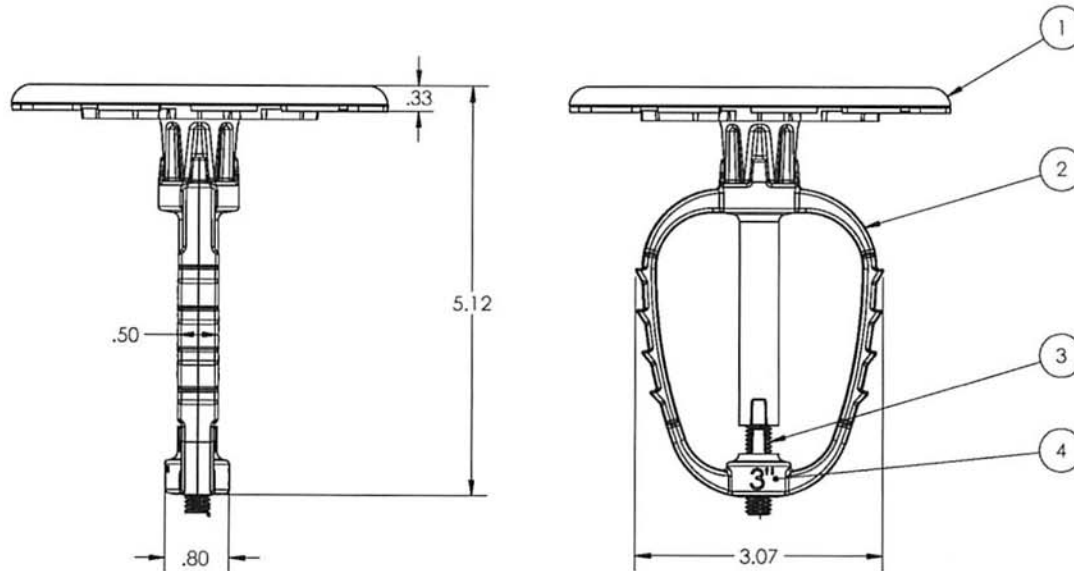
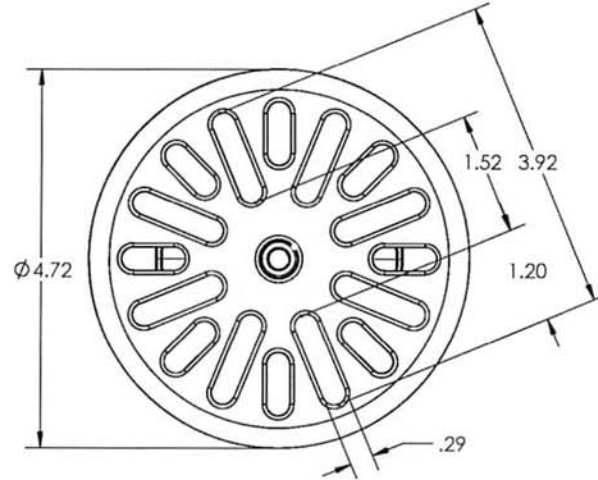
REVISIONS		
REV	DESCRIPTION	DATE
A	INITIAL RELEASE	6/14/18



ITEM NO.	DESCRIPTION	QTY.
1	DL-20 Drain Cap - Nylon MF/GF	1
2	DL-20 Expander	1
3	5/16-18 x 5" Type 304 SS Socket Head Cap Screw	1
4	5/16-18 Brass Hex Nut	1

UNLESS OTHERWISE SPECIFIED:		NAME	DATE	2" Pro-Tech™ Drain Lock - Flat
DIMENSIONS ARE IN INCHES	DRAWN	RKL	6/14/18	
TOLERANCES:	CHECKED			TITLE: PTDL-20-SB
FRACTIONAL: ±1/64	ENG APPR.			
ANGULAR: ±2°	MFG APPR.			
TWO PLACE DECIMAL: ±0.01	Q.A.			SIZE DWG. NO. REV B DL-20 Assy A
THREE PLACE DECIMAL: ±0.010	COMMENTS:			
INTERPRET GEOMETRIC TOLERANCING PER MATERIAL				SCALE: 2:3 WEIGHT: SHEET 1 OF 1
DO NOT SCALE DRAWING				

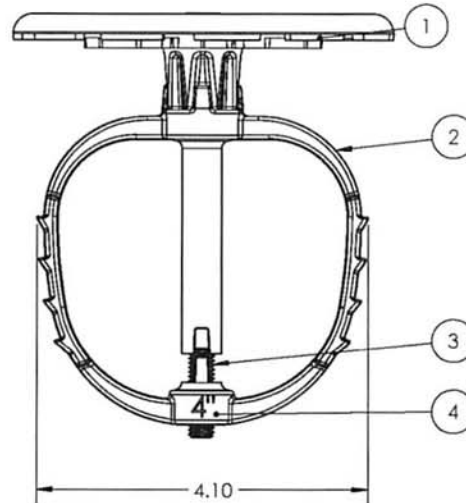
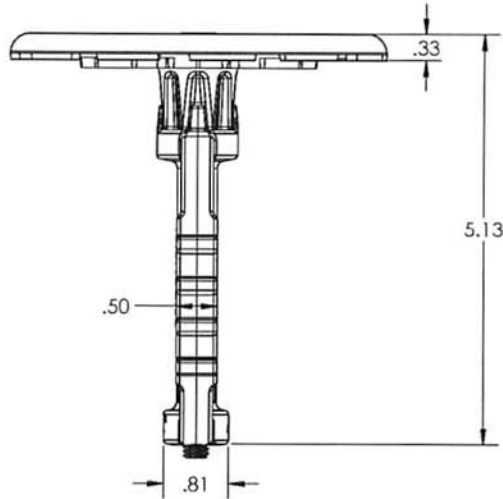
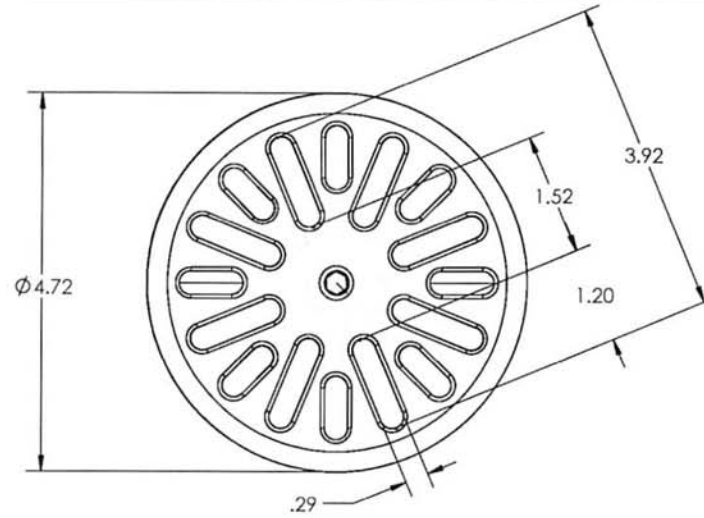
REVISIONS		
REV	DESCRIPTION	DATE
A	INITIAL RELEASE	6/14/18



ITEM NO.	PART NUMBER	QTY.
1	DL-30/DL-40 Drain Cap - Nylon MF/GF	1
2	DL-30 Expander	1
3	5/16-18 x 5" Type 304 SS Socket Head Cap Screw	1
4	5/16-18 Brass Hex Nut	1

UNLESS OTHERWISE SPECIFIED:		NAME	DATE	3" Pro-Tech™ Drain Lock - Flat
DIMENSIONS ARE IN INCHES		DRAWN	RKL	
TOLERANCES:		CHECKED		
FRACTIONAL: ±1/64		ENG APPR.		
ANGULAR: ±2°		MFG APPR.		
TWO PLACE DECIMAL: ±.01		Q.A.		
THREE PLACE DECIMAL: ±.010		COMMENTS:		TITLE: PTDL-30-SB
INTERPRET GEOMETRIC TOLERANCING PER:				SIZE B DWG. NO. DL-30 Assy REV A
MATERIAL:				SCALE: 2:3 WEIGHT: SHEET 1 OF 1
DO NOT SCALE DRAWING				

REVISIONS		
REV	DESCRIPTION	DATE
A	INITIAL RELEASE	6/14/18



ITEM NO.	PART NUMBER	QTY.
1	DL-30/DL-40 Drain Cap - Nylon MF/GF	1
2	DL-40 Expander	1
3	5/16-18 x 5" Type 304 SS Socket Head Cap Screw	1
4	5/16-18 Brass Hex Nut	1

UNLESS OTHERWISE SPECIFIED:		NAME	DATE	4" Pro-Tech™ Drain Lock - Flat
DIMENSIONS ARE IN INCHES	DRAWN	RKL	6/14/18	
TOLERANCES:	CHECKED			TITLE: PTDL-40-SB
FRACTIONAL: ±1/64	ENG APPR.			
ANGULAR: ±2°	MFG APPR.			SIZE DWG. NO. REV B DL-40 Assy A
TWO PLACE DECIMAL: ±.01	QA.			
THREE PLACE DECIMAL: ±.010	COMMENTS:			SCALE: 2:3 WEIGHT: SHEET 1 OF 1
INTERPRET GEOMETRIC TOLERANCING PER:				
MATERIAL:				
DO NOT SCALE DRAWING				